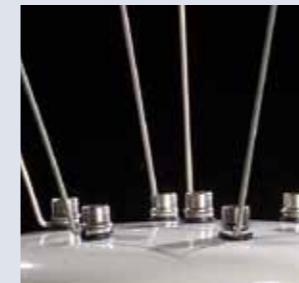


SC 155 I

Self Powered LED lantern for buoys and minor beacons with 4 nm Range

SC 155 is a self contained LED lantern for fixed and floating structures. The lantern is complete including solar panels, battery and charge controller. The lantern is designed for harsh marine environment and for long uninterrupted operation.

- Range 4 nm (Tc=0,74) 5 nm (Tc= 0,85)
- Standard IALA colours Red, Green, White, Yellow
- Light module of rugged aluminium housing and body of UV resistant polyethylene
- Integrated flasher with daylight switch and solar charger
- Standard VRLA battery
- Ventilated battery compartment
- Solar modules with tempered glass in front
- Adjustable intensity and range
- Available with wide (10°) vertical divergence
- Programming with wireless IR-Programmer
- Integrated event-log for 365 days
- Optionally integrated GPS synchronization
- Optionally integrated GSM Remote monitoring
- Optionally Auxiliary connector for external charger or external Solar Module



Bird spikes

Stainless steel as standard. Easy to replace. Special spikes for protection against cormorants on request.



Solar Modules

Solar modules with tempered glass front well integrated with the PE-housing.



GSM

GSM unit and antenna integrated in the lantern for remote monitoring and control. For more information please see the Light-Guard Section.



Auxiliary connector

(Optionally) enables external charging or additional solar modules



VRLA Battery

Maintenance free Lead acid battery with a designed lifetime of 7 years



PDA Programmer

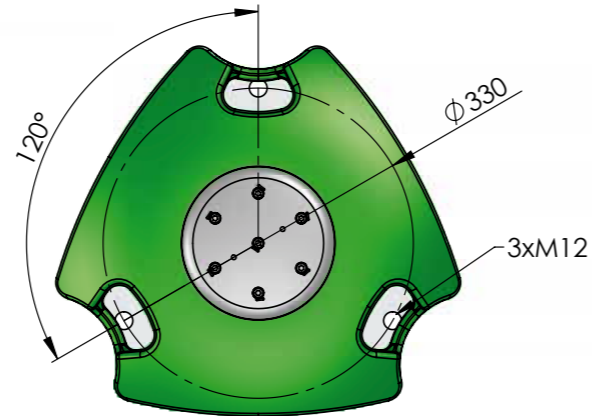
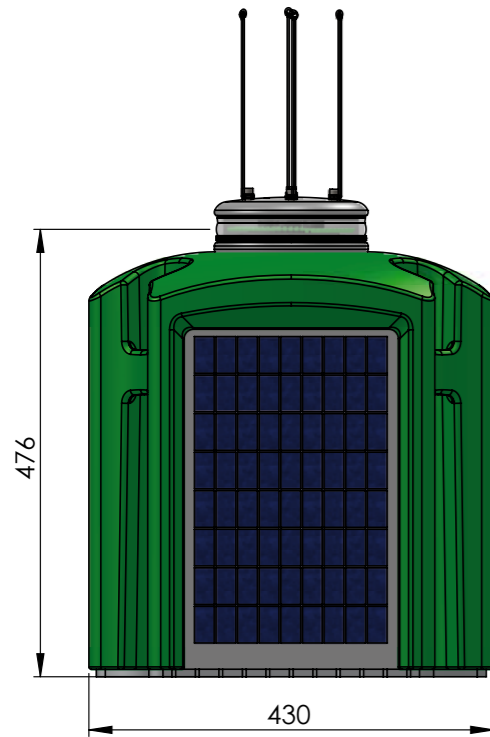
Wireless two-way communication using a Windows based PDA with infra red port. Flash code, range and photocell switch level etc. can be set. With the Programmer also the event log can be retrieved



Installation

the bottom plate of the Led155 supports installation on structure using 3 x M10 bolts on a 330 mm radius

Technical Specification SC 155 I



Optical performance

Maximum fixed intensity, wide lens				
Simplex, 3 W	60 cd	60 cd	60 cd	60 cd

Main Technical Specification

Lens visual/Mechanical diameter	160 mm
Lens material	UV stabilized Polycarbonate
Light source	Light Emitting Diodes (LEDs)
Vertical divergence	10° @ 10% (±2°) of peak intensity
Solar modules	3 x 8,5 W
Battery	VRLA GEL-Type, 32Ah/12V
Weight	24 Kg
Overall height	615 mm
Overall width	510 mm dia.
Installation	3 x M10 on 330 mm dia.

Order Overview SC 155 I

Option matrix

Aux. Connector	Auxiliary connector for external charger
LightGuard GSM	Integrated GSM based monitoring with GSM antenna
LightGuard GSM + GPS	Integrated GSM based monitoring with GSM/GPS antennas
GPS sync	Integrated GPS sync only unit with GPS antenna in lantern top

SC155 I with VRLA Battery

Red	SC155-1VR
Green	SC155-1VG
Yellow	SC155-1VY
White	SC155-1VW

Enclosure Color (if not indicated enclosure will follow the light color)	Additional Options
RD = Red	AUX = Auxiliary Connector of external charger etc.
GN = Green	GPS = Integrated GPS for synchronization and position monitoring.
YL = Yellow	GSM = Integrated LightGuard GSM
GY = Gray	
BK = Black	

Example: SC155-1VW-BK-GPS-GSM

- **SC155-2VW** is the code for SC155 I with VRLA battery and White light color
- **W** is the code for a wide lens
- **BK** is the code for a black enclosure
- **GPS** and **GSM** indicate that GPS and Light GSM should be integrated

SC 155 II

Self Contained LED Lantern for buoys and minor beacons

SC 155 II a self contained LED lantern for fixed and floating structures. The lantern is complete including solar panels, battery and charge controller. The lantern is designed for harsh marine environment and for long uninterrupted operation.

- Range 7 nm (Tc=0,74) 10 nm (Tc=0,85)
- Standard IALA colours Red, Green, White, Yellow
- Light module of rugged aluminium housing and body of UV resistant polyethylene
- Integrated flasher with daylight switch and solar charger
- Standard VRLA battery or optional NiCd for low temperature areas
- Ventilated battery compartment
- Solar modules with tempered glass in front
- Adjustable intensity and range
- Available with narrow (6°) or wide (10°) vertical divergence
- Programming with wireless IR-Programmer
- Integrated event log for 365 days
- Optionally integrated GPS synchronization
- Optionally integrated GSM Remote monitoring
- Optionally Auxiliary connector for external charger or external Solar Module
- Optionally Primary battery switch



Bird spikes

Stainless steel as standard. Easy to replace. Special spikes for protection against Cormorants on request.



Solar Modules

Solar modules with tempered glass front well integrated with the PE-housing.



GSM

GSM unit and antenna integrated in the lantern for remote monitoring and control. For more information please see the Light-Guard Section.



Auxiliary connector

(Optionally) enables external charging or additional solar modules.



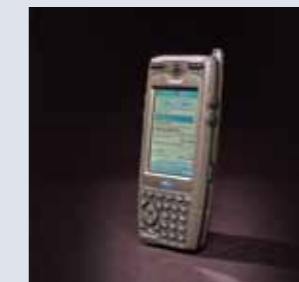
VRLA Battery

Maintenance free Lead acid battery with a designed lifetime of 7 years.



NiCd Battery

High quality NiCd battery for use in low temperature areas down to -40 °C with Arctic electrolyte.



PDA Programmer

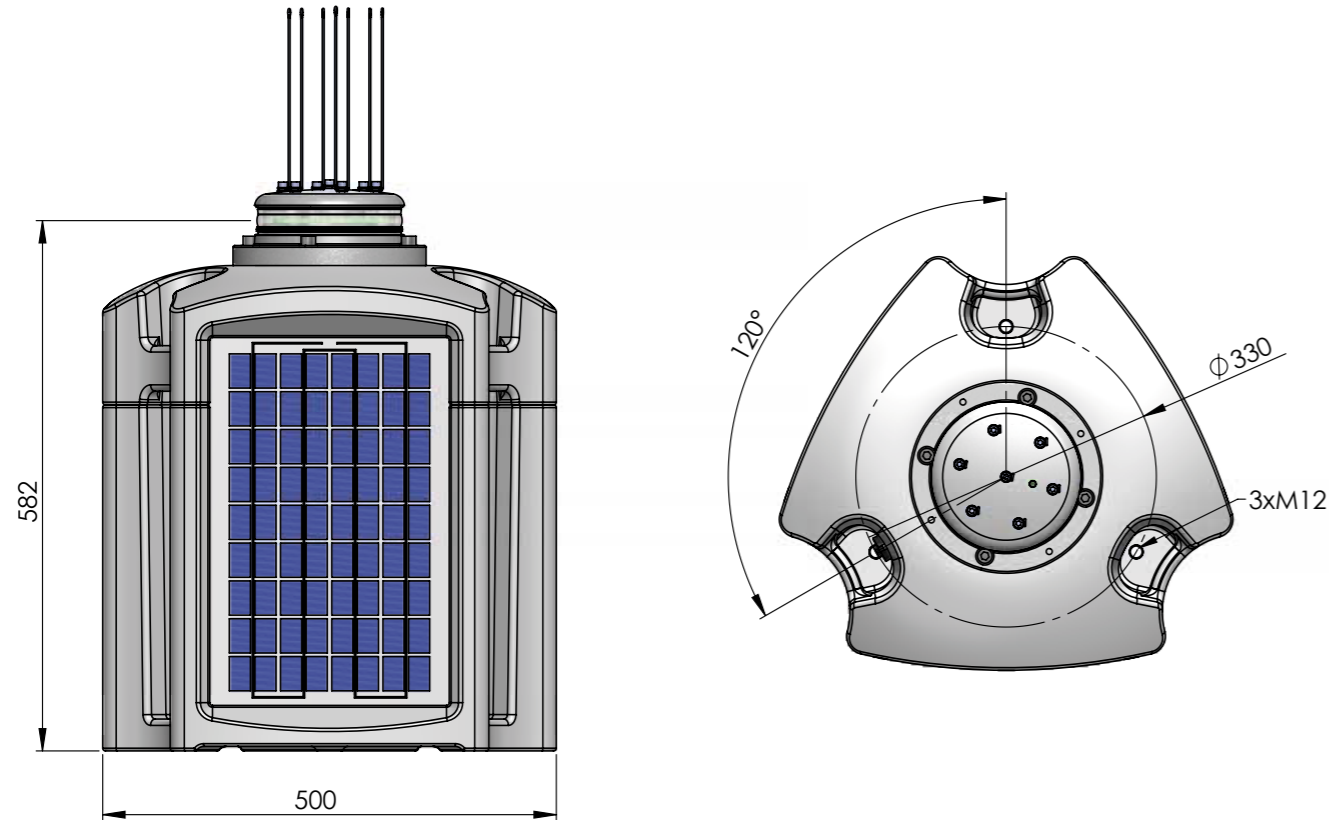
Wireless two-way communication using a Windows based PDA with infra red port. Flash code, range and photocell switch level etc. can be set. With the Programmer also the event log can be retrieved.



Installation

the bottom plate of the Led155 supports installation on structure using 3 x M10 bolts on a 330 mm radius.

Technical Specification SC 155 II



Optical performance

Maximum fixed intensity, narrow lens (fixed structures)				
Simplex, 6 W	140 cd	270 cd	450 cd	200 cd

Maximum fixed intensity, wide lens (floating structures)				
Simplex, 6 W	120 cd	180 cd	250 cd	100 cd

Main Technical Specification

Lens visual/Mechanical diameter	160 mm
Lens material	UV stabilized Polycarbonate
Light source	Light Emitting Diodes (LEDs)
Vertical divergence	6° @ 50% (±1°) and 10° @ 10% (±2°) of peak intensity
Solar modules	3 x 11 W
Battery	VRLA GEL-Type, 60Ah/12V
Weight	37 Kg
Overall height	615 mm
Overall width	510 mm dia.
Installation	3 x M10 on 330 mm dia.

Order Overview SC 155 II

Option matrix

NiCd 45AH	45 Ah NiCD battery for low temperature areas
Aux. Connector	Auxiliary connector for external charger
LightGuard GSM	Integrated GSM based monitoring with GSM antenna
LightGuard GSM + GPS	Integrated GSM based monitoring with GSM/GPS antennas
GPS sync	Integrated GPS sync only unit with GPS antenna in lantern top
AIS Type 1	Integrated AIS Type 1
AIS Type 3	Integrated AIS Type 3

SC155 II with VRLA Battery		SC155 II with NiCd Battery	
Red	SC155-2VR	Red	SC155-2CR
Green	SC155-2VG	Green	SC155-2CG
Yellow	SC155-2VY	Yellow	SC155-2CY
White	SC155-2VW	White	SC155-2CW

Lens Options	Enclosure Color (if not indicated enclosure will follow the light color)	Additional Options
N = Narrow (6° @ 50 % of peak intensity)	RD = Red	AUX = Auxiliary Connector for external charger etc.
W = Wide (10° @ 50 % of peak intensity)	GN = Green	GPS = Integrated GPS for synchronization and position monitoring.
	YL = Yellow	GSM = Integrated LightGuard GSM
	GY = Gray	AIS1 = Integrated AIS Typ I
	BK = Black	AIS3 = Integrated AIS Typ 3

Example: SC155-2VW-W-BK-GPS-GSM

- **SC155-2VW** is the code for SC155 II with VRLA battery and White light color
- **W** is the code for a wide lens
- **BK** is the code for a black enclosure
- **GPS** and **GSM** indicate that GPS and Light GSM should be integrated