

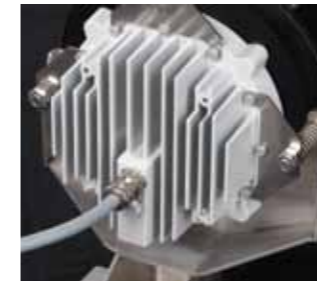
LO 200H

High Intensity LED Range Light Signal

The LO 200H signal is designed to be used as long range directional light, as port entry signal or as lock traffic signal requiring long range and high visibility. Due to the high luminous output, this light can also be used in applications requiring daytime visibility.

The lantern housing builds up as a solid single piece heat sink for the high power LED's hence offering the best possible thermal management to ensure long lifetime.

- High intensity precision range light equipped with high power LED's
- Intermediate horizontal and vertical beam of 8° (FWHM)
- Integrated sun shield to protect lens from dirt and improve contrast
- Integrated 3-axis alignment of beam for easy installation
- Aluminium housing fully waterproof with PTFE vent for breathing
- Visual range up to 18 nm ($T_c = 0.74$)
- Standard IALA colours Red, Green, White and Yellow
- The range light has an integrated LED driver, but no flasher or photocell
- For additional functionality, the Sabik LHC unit can be connected to the lantern
- The range light is delivered with mounting mechanics produced of acid proof steel



Aluminium housing

The aluminium housing is equipped with cooling elements on the back side of the enclosure.



Sun shield

Protects lens from dust and bird droppings. Improves contrast in daytime use of the lantern.



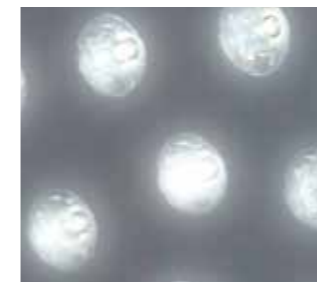
Installation

The lantern can easily be installed on a flat surface with four M10 size bolts.



Light beam adjustment

The direction of the light beam can be adjusted with 3 bolts. The 3 axis adjustment system enables both vertical and horizontal alignment.



High power LED's

The performance of the range light has been achieved thanks to the high power LED's with individual lenses.



Cable entry

Cable entry is from the back of the lantern. Cable gland used is a Ms M20 cable gland.



Sabik Easy Programmer

User friendly and compact wireless two-way programmer.



PDA Programmer

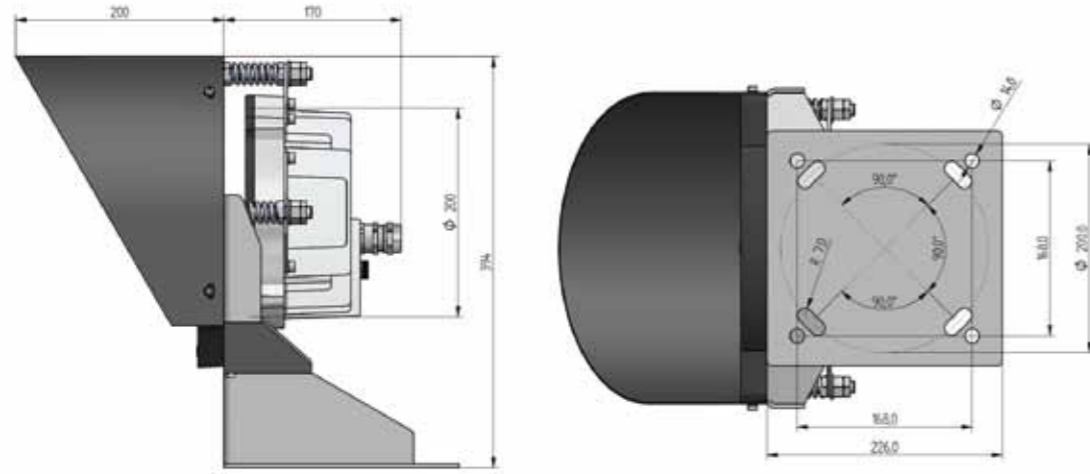
Wireless two-way communication using a Windows based PDA with infra red port. Flash code, range and photocell switch level etc. can be set. With the Programmer also the event log can be retrieved.



Sabik LHC Controller

When more functionality needed, like flash character, intensity setting etc. Sabik Lighthouse Controller can be used together with the light.

Technical Specification LO 200H



Optical performance

Maximum fixed intensity				
At full power 50 W	50.000 cd	70.000 cd	100.000 cd	50.000 cd

Main Technical Specification

Lens visual/Mechanical diameter	200 mm (8")
Lens material	UV stabilized Polycarbonate
Light source	High Power Light Emitting Diodes (LEDs)
Lens divergence (horizontal and vertical)	8° @ 50 % (± 1°) of peak intensity 15° @ 10% (± 2°) of peak intensity
Unit lifetime	Up to 10 years
Weight	10 kg
Temperature range	-40°...+60°C
Supply Voltage	20 – 30 VDC
Power consumption	50 watts
Degree of protection	IP 66

Order Overview LO 200H

Option matrix

Sabik LHC	External marine flasher
LightGuard GSM	GSM based monitoring
LightGuard GSM + GPS	GSM+GPS based monitoring
GPS sync	GPS synchronization

Product codes

Product	Colour
LO 200HW	white
LO 200HR	red
LO 200HG	green
LO 200HY	yellow